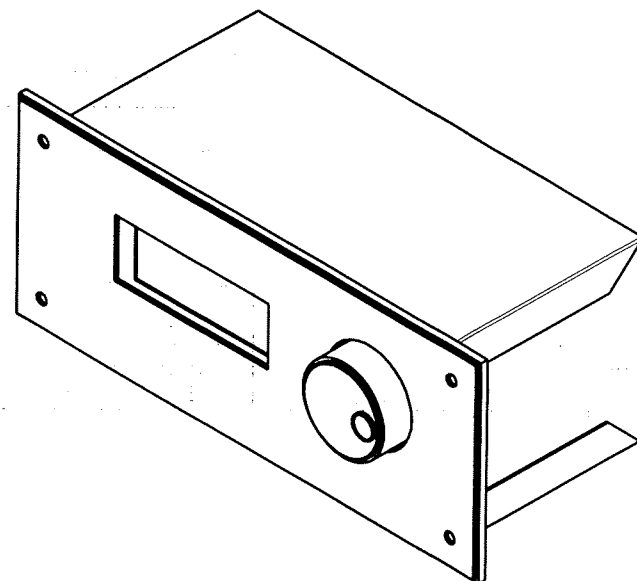
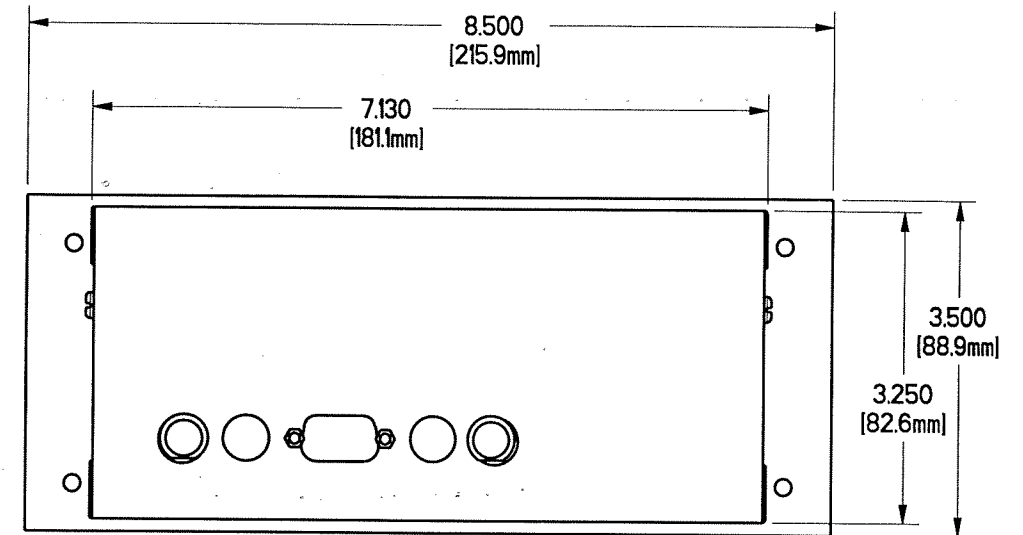
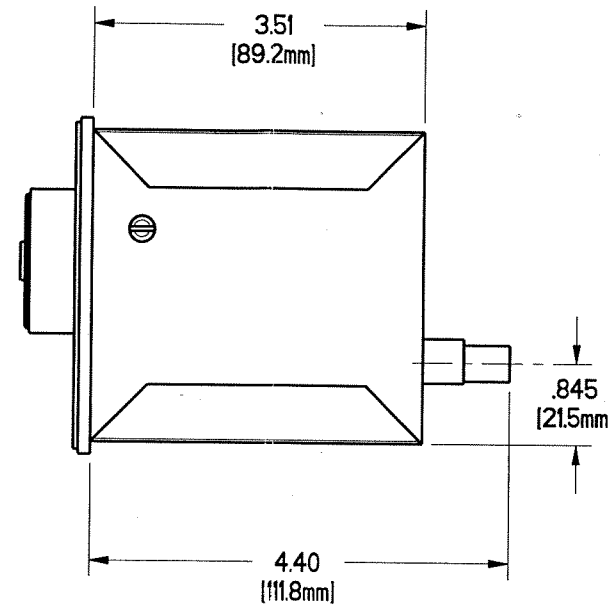
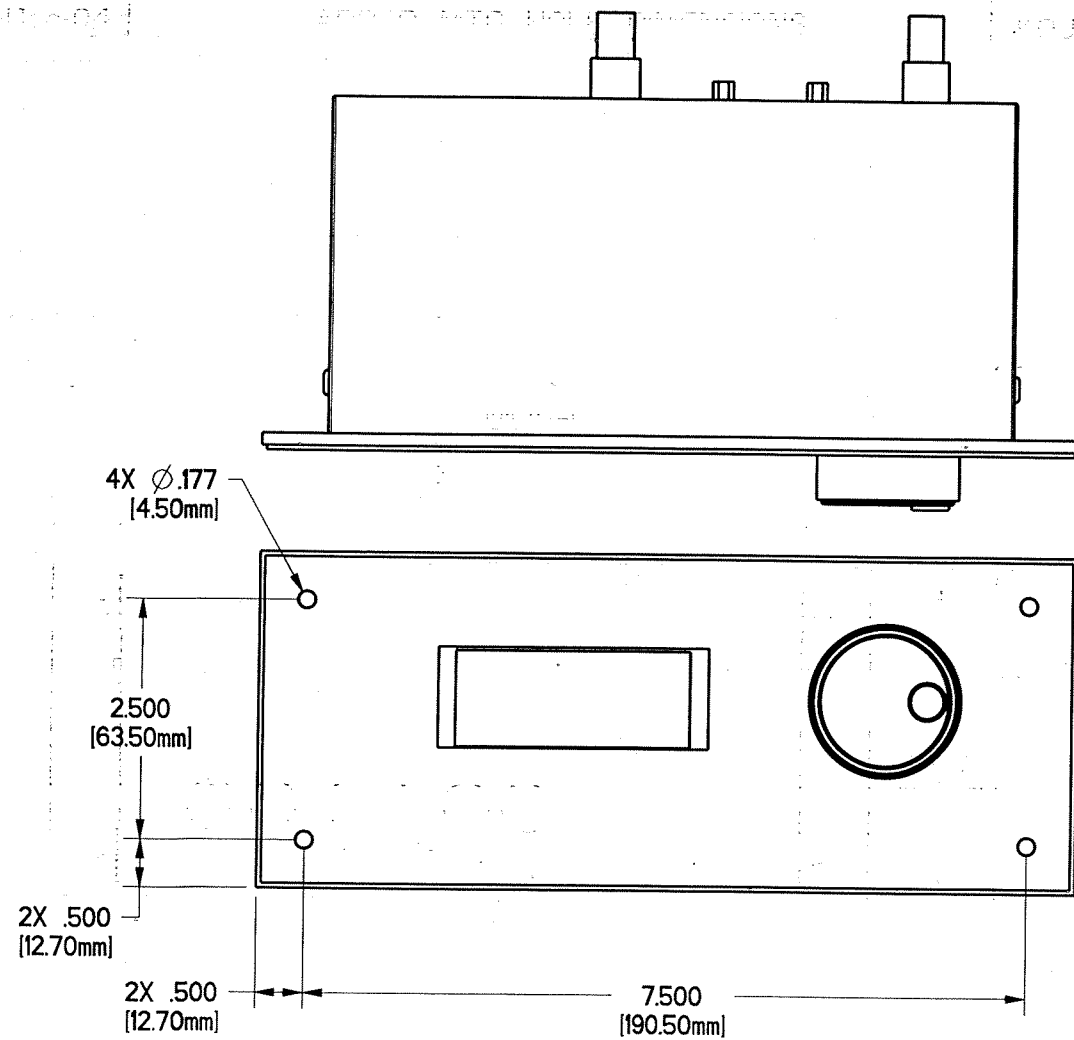



REV	ECO	DATE	DESCRIPTION	DB
B	2835	3-Dec-04	ADDED MTG HOLE DIMENSIONS	KOJ



- NOTES:
1. DIMENSION IN BRACKETS [ ] ARE MILLIMETERS.
  2. TOLERANCES FOR METRIC DIMENSIONS ARE:  
 .X = ±0.2mm  
 .XX = ±0.15mm

Pro/E

TOLERANCES UNLESS NOTED: .x = ±0.1 ANGLE = ±2.0° .xx = ±0.01 .xxx = ±0.005		<b>PROPRIETARY</b> THIS DRAWING IS PROPRIETARY TO SYNRAD INC. AND SHALL NOT BE USED OR DISCLOSED IN WHOLE OR IN PART WITHOUT WRITTEN PERMISSION OF SYNRAD INC.	 <b>SYNRAD INC.</b> 4600 Campus Place Mukilteo, WA 98275 Phone: (425)349-3500 Fax: (425)349-3667
MATERIAL:			
FINISH:		DESCRIPTION: <b>OUTLINE &amp; MOUNTING, UC-2000 PANEL MOUNT</b>	
PART NUMBER: 95-018128-02		DWG/FILE NUMBER: 300-18128-02	
SHEET 1 OF 1	DB: pdmdb	DRAWN BY: RLS	DATE: 10-Nov-00
UNITS: INCHES	CATEGORY: I	CHECKED BY: [Signature]	DATE: 7 Dec 04
SIZE: B	FINISH CLASS: A	APPROVED BY: [Signature]	DATE: 12/10/04